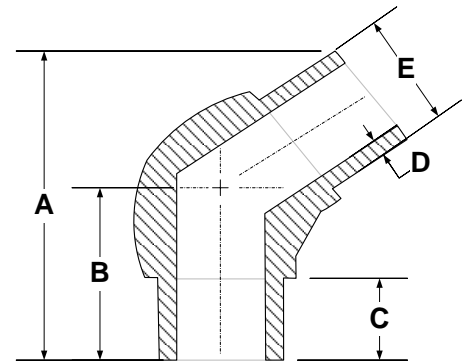


BUTT FUSION FITTINGS

45° ELBOW

FOR REFERENCE ONLY

IPS & DIPS



2

Nominal Pipe Size	A Length ¹	B Length ¹	C Length ¹	D Wall	E OD
2" IPS	8.275"	4.200"	2.400"	.216/.259	2.375" ^{+/-} .010
mm	210.19	106.68	60.90	5.48/6.58	60.33
3" IPS	10.150"	5.000"	2.500"	.318/.382	3.500" ^{+/-} .012
mm	257.81	127.00	63.50	8.08/9.70	88.90
4" IPS	10.700"	5.075"	2.800"	.409/.491	4.500" ^{+/-} .015
mm	271.78	128.91	71.12	10.39/12.47	114.30
4" DIPS	10.700"	5.075"	3.000"	.436/.524	4.800" ^{+/-} .010
mm	271.78	128.91	76.20	11.08/13.30	121.92
5" IPS	16.125"	5.225"	n/a	.506/.607	5.563" ^{+/-} .16
mm	409.58	132.72	n/a	12.85/14.52	141.30
6" IPS	16.275"	8.125"	4.000"	.602/.723	6.625" ^{+/-} .018
mm	413.39	206.38	101.60	15.30/18.36	168.28
6" DIPS	16.275"	8.125"	4.000"	.627/.753	6.900" ^{+/-} .031
mm	413.39	206.38	101.60	15.93/19.12	175.26

¹ All values are nominal dimensions

² Drawing may not be exact representation of product

Note Please contact a Rahn Customer Sales Rep for availability

Note All Wall measurements calculated using SDR 11

Note See SDR Chart for other wall thicknesses



Rahn Plastics Incorporated
 54 Ferris Drive, North Bay
 Ontario, Canada P1A 4M3
www.rahnplastics.com

(Local) 1-705-495-6777
 (Toll Free) 1-888-433-0111
 (Fax) 1-866-495-6820